

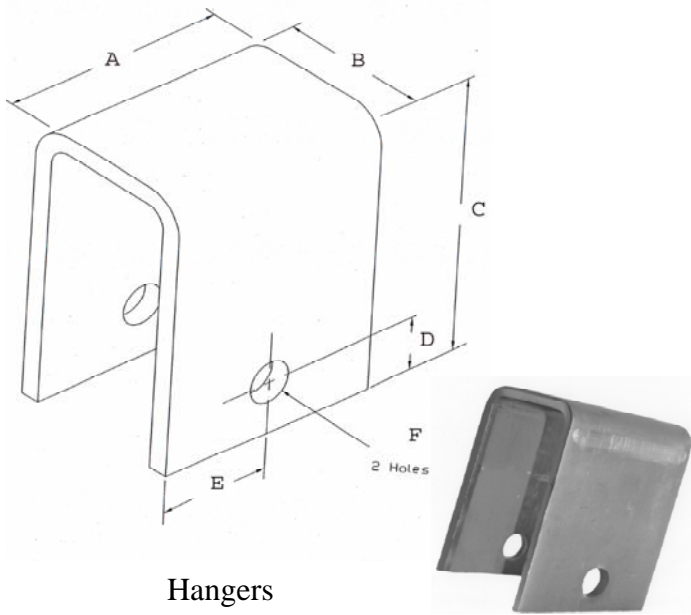


Master Craft Engineering, Inc.

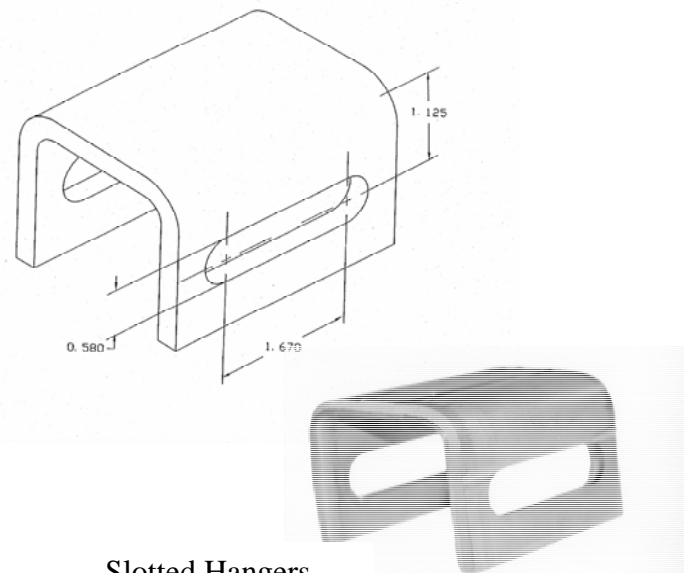
323 Southwell Blvd; Tifton, GA 31794
 Phone: 229-386-1858 – Fax: 229-386-8886
 Email: mastercrafteng@bellsouth.net

HANGERS

PART NO.	DESCRIPTION	DIMENSION								
		A	B	C	D	E	F	G	H	I
4319	4" Spring Hanger 2.36 material	3.00	2.25	4.00	0.75	1.50	0.625	NA	NA	NA
4319 HD	4" Spring Hanger 3.00 material	3.00	2.25	4.00	0.75	1.50	0.625	NA	NA	NA
4341	3" Spring Hanger	3.00	2.25	3.00	0.75	1.50	0.625	NA	NA	NA
4613	2" Spring Hanger	3.00	2.37	2.00	0.62	1.50	0.625	NA	NA	NA
5173	1 3/8" x 3" Rear Hanger	3.00	1.37	2.35	0.62	1.50	0.562	NA	NA	NA
5295	UT Rear Hanger	2.00	1.75	2.12	0.67	1.00	0.565	NA	NA	NA
4379	1 1/2" Rear Hanger	1.50	1.67	1.93	0.77	0.75	0.620	NA	NA	NA
5395	1 3/4" Spring Hanger	1.75	1.67	1.93	0.77	0.87	0.620	NA	NA	NA
5601	5" Spring Hanger 0.29 material	3.00	2.50	5.25	0.82	1.50	0.620	NA	NA	NA
5937	LPI 1 3/4" Rear Hanger	1.75	1.67	2.00	0.98	0.87	0.570	NA	NA	NA
5939	LPI 5" Spring Hanger	3.00	2.00	4.75	0.50	1.50	0.570	NA	NA	NA
5941	LPI 6" Spring Hanger	3.00	2.00	5.59	0.62	1.50	0.570	NA	NA	NA
5233	Small Front Hanger	1.50	1.88	2.10	0.60	0.75	0.530	NA	NA	NA
4611	2" Slotted Spring Hanger	3.00	2.37	1.95	NA	NA	NA	0.058	1.67	1.125



Hangers



Slotted Hangers